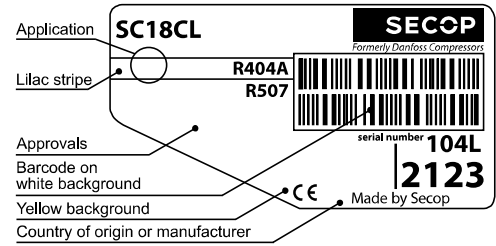


SC18CL LBP/MBP Compressor R404A/R507 220-240V 50Hz



General

Code number	104L2123
Approvals	EN 60335-2-34
Compressors on pallet	80

Application

Application	LBP/MBP		
Frequency	Hz	50	60
Evaporating temperature	°C	-45 to -5	-
Voltage range	V	198 - 254	-
Max. condensing temperature continuous (short)	°C	55 (60)	-
Max. winding temperature continuous (short)	°C	125 (135)	-

Cooling requirements

Frequency	Hz	50			60		
Application		LBP	MBP	HBP	LBP	MBP	HBP
32°C		F ₂	F ₂	-	-	-	-
38°C		F ₂	F ₂	-	-	-	-
43°C		-	-	-	-	-	-
Remarks on application:							

- S = Static cooling normally sufficient
- O = Oil cooling
- F₁ = Fan cooling 1.5 m/s
(compressor compartment temperature equal to ambient temperature)
- F₂ = Fan cooling 3.0 m/s necessary
- SG = Suction gas cooling normally sufficient
- = not applicable in this area

Motor

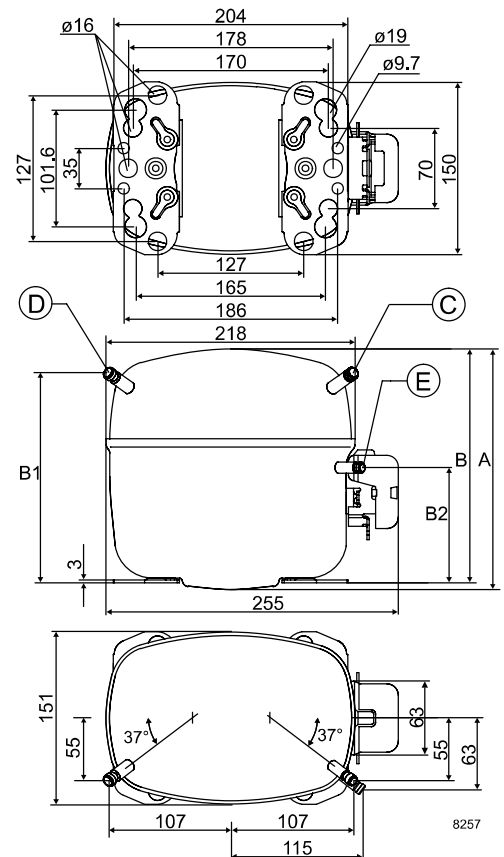
Motor type	CSR		
LRA (rated after 4 sec. UL984), HST LST	A	20.0	-
Cut in Current, HST LST	A	20.0	-
Resistance, main start winding (25°C)	Ω	3.7	14.1

Design

Displacement	cm ³	17.69
Oil quantity (type)	cm ³	600 (polyolester)
Maximum refrigerant charge	g	1300
Free gas volume in compressor	cm ³	1460
Weight without electrical equipment	kg	13.7

Dimensions

Height	mm	A	219
		B	213
		B1	193
		B2	110
Suction connector	location/I.D. mm angle	C	10.2 37°
	material comment	Cu-plated steel Al cap	
Process connector	location/I.D. mm angle	D	6.2 37°
	material comment	Cu-plated steel Al cap	
Discharge connector	location/I.D. mm angle	E	6.2 37°
	material comment	Cu-plated steel Al cap	
Oil cooler connector	location/I.D. mm angle	F	-
	material comment	-	
Connector tolerance	I.D. mm	±0.09	
Remarks:			



EN 12900 Household (CECOMAF)

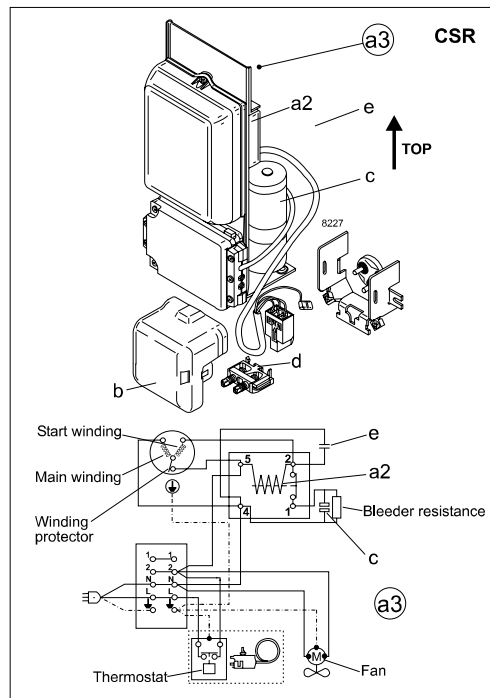
220V, 50Hz, fan cooling F₂

Evap. temp. in °C	-45	-40	-35	-30	-25	-23.3	-20	-15	-10	-6.7	-5	0	5	7.2	10	15	20
Capacity in W	167	271	395	542	715	781	918	1154	1425	1625	1735						
Power cons. in W	294	376	455	534	615	643	700	792	894	967	1008						
Current cons. in A	2.61	2.80	3.02	3.29	3.60	3.72	3.96	4.36	4.80	5.12	5.29						
COP in W/W	0.57	0.72	0.87	1.01	1.16	1.21	1.31	1.46	1.59	1.68	1.72						

ASHRAE LBP

220V, 50Hz, fan cooling F₂

Evap. temp. in °C	-45	-40	-35	-30	-25	-23.3	-20	-15	-10	-6.7	-5	0	5	7.2	10	15	20
Capacity in W	193	313	457	628	830	907	1067	1342	1659	1885	2022						
Power cons. in W	294	376	455	534	615	643	700	792	894	967	1008						
Current cons. in A	2.61	2.80	3.02	3.29	3.60	3.72	3.96	4.36	4.80	5.12	5.29						
COP in W/W	0.66	0.83	1.00	1.18	1.35	1.41	1.52	1.69	1.86	1.95	2.01						



Accessories for	SC18CL	Figure	Code number	Test conditions	EN 12900/CECOMAF	ASHRAE LBP
Starting device	470 mm cable length	a3	117-7012	Condensing temperature	45°C	45°C
	550 mm cable length		117-7027	Ambient temperature	32°C	32°C
	650 mm cable length		117-7046	Suction gas temperature	32°C	32°C
	1000 mm cable length		117-7040	Liquid temperature	no subcooling	32°C
Cover		b	103N2009			
Starting relay	6.3 mm spade connectors	a2	Components of starting device	Mounting accessories		
Start. capacitor 80 µF	6.3 mm spade connectors	c		Bolt joint for one comp.	Ø: 16 mm	118-1917
Run capacitor 10 µF	6.3 mm spade connectors	e		Bolt joint in quantities	Ø: 16 mm	118-1918
Cord relief		d	103N1004	Snap-on in quantities	Ø: 16 mm	118-1919

Danfoss can accept no responsibility for possible errors in catalogues, brochures and other printed material. Danfoss reserves the right to alter its products without notice. This also applies to products already on order provided that such alterations can be made without subsequential changes being necessary in specifications already agreed. All trademarks in this material are property of the respective companies. Danfoss and the Danfoss logotype are trademarks of Danfoss A/S. All rights reserved.