

NEK6187Z



**ENGINEERING CODE**  
268JA51



**REFRIGERANT**  
R-134a



**POWER SUPPLY**  
220-240 V 50 Hz



**APPLICATION**  
HBP



**MOTOR TYPE**  
CSIR



**STANDARD**  
EN12900



**COOLING CAPACITY**  
899 W



**EFFICIENCY**  
2.17 W/W



DATA

GENERAL DATA

Model	NEK6187Z
Type	Hermetic Reciprocating
Technology	ON/OFF
Compressor Application	HBP
Expansion Device	Capillary Tube or Expansion Valve
Compressor Cooling	Fan/220
HP	1/3
Starting Torque	HST
Plant	SLOVAKIA

ELECTRICAL DATA

Start Winding Resistance	22.18 Ω at 25°C
Run Winding Resistance	10.05 Ω at 25°C
Locked Rotor Amperage (LRA) 50Hz	15 A

## MECHANICAL DATA

Displacement	9.99 cm <sup>3</sup>
Oil Charge	350 ml
Oil Type	ESTER
Oil Viscosity	ISO22
Weight	10.2 Kg

## ELECTRICAL COMPONENTS

Start Capacitor	64-77 µf/330 V
CSR CSIR BOX	No
Starting Device Type	RELAY
Starting Device Description	MTRP-0028*
Overload Protection	T1026

## PERFORMANCE

### TESTED CONDITIONS

Tested Refrigerant	R-134a
Tested Application	HBP
Tested Standard	EN12900
Tested Cooling	Fan
Tested Voltage	220 V
Refrigerant Temperature	Dew

### RATED POINTS

Condensing Temperature °C	Evaporating Temperature °C	Cooling Capacity W	Efficiency W/W	Power Consumption W	Current A	Gas Flow Rate kg/h
50	5	899	2.17	415	-	22.56

Test Condition: Subcooling 0 K, Return Gas 20 °C. Data are an indication of performance based simulation.

### PERFORMANCE CURVE

Condensing Temperature 35°C

Evaporating Temperature °C	Cooling Capacity W	Efficiency W/W	Power Consumption W	Current A	Gas Flow Rate kg/h
-15	452	1.79	252	-	9.56
-10	574	2.08	276	-	12.21
-5	721	2.38	303	-	15.41
0	894	2.73	328	-	19.22
5	1095	3.15	347	-	23.73
10	1327	3.72	357	-	29.01

Test Condition: Subcooling 0 K, Return Gas 20 °C. Data are an indication of performance based simulation.

## PERFORMANCE CURVE

Condensing Temperature 45°C

Evaporating Temperature °C	Cooling Capacity W	Efficiency W/W	Power Consumption W	Current A	Gas Flow Rate kg/h
-15	393	1.44	273	-	9.12
-10	502	1.68	298	-	11.71
-5	633	1.92	330	-	14.84
0	787	2.15	365	-	18.58
5	966	2.42	399	-	23.00
10	1172	2.73	429	-	28.18

Test Condition: Subcooling 0 K, Return Gas 20 °C. Data are an indication of performance based simulation.

## PERFORMANCE CURVE

Condensing Temperature 55°C

Evaporating Temperature °C	Cooling Capacity W	Efficiency W/W	Power Consumption W	Current A	Gas Flow Rate kg/h
-10	426	1.37	310	-	11.04
-5	540	1.58	342	-	14.10
0	675	1.77	381	-	17.75
5	832	1.96	425	-	22.07
10	1012	2.16	468	-	27.15

Test Condition: Subcooling 0 K, Return Gas 20 °C. Data are an indication of performance based simulation.

## ENVELOPE



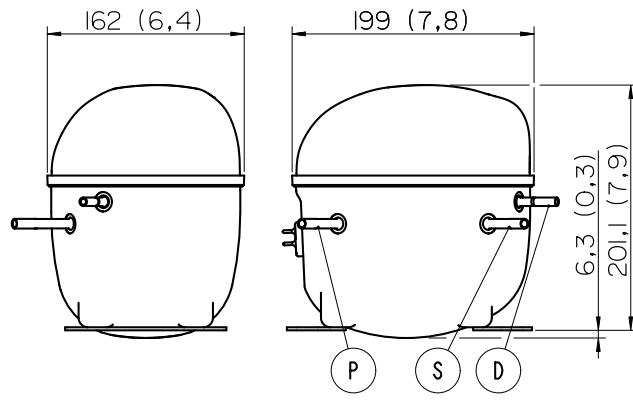
## External

### EXTERNAL CHARACTERISTICS

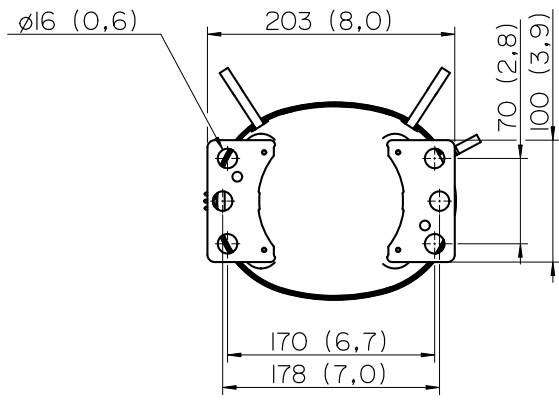
Base Plate		SMALL	
Tray Holder		NO	
Connector	Internal Diameter	Shape	Material
Suction	8.1 mm	SLANTED 42°	COPPER
Discharge	6.1 mm	STRAIGHT	COPPER
Process	6.1 mm	SLANTED 42°	COPPER

**EXTERNAL DIMENSIONS**

**SHELL**



**BASE**



**FENCE**

