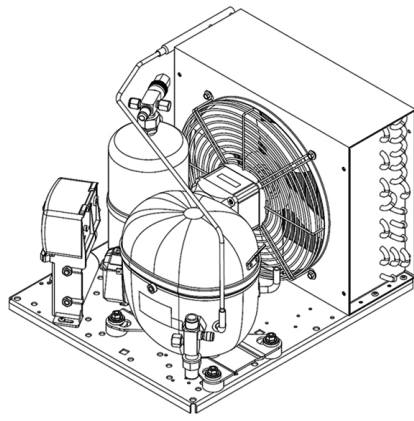


UNT2212GK



ENGINEERING CODE
505DA5204AA



REFRIGERANT
R-452A



POWER SUPPLY
220-240 V 50 Hz



APPLICATION
LBP



MOTOR TYPE
CSR



STANDARD
EN13215_RG20

CE

ECODESIGN
COMPLIANT



COOLING CAPACITY
804 W



EFFICIENCY
1.1 W/W

DATA

GENERAL DATA

Model UNT2212GK

ELECTRICAL DATA

Locked Rotor Amperage (LRA) 33.00 A

Rated Load Amperage (RLA) 5.75 A

Maximum Overcurrent Protection (MOP) 12.94 A

Minimum Current Ampacity (MCA) 7.2 A

ACCESSORIES

Discharge valve FLARE 3/8" 2110056

Suction valve FLARE 1/2" 2110057

CONDENSING COMPONENTS

Compressor NT2212GK LBP

Condenser 3R12T 2451140

Refrigerant R-404A

Expansion Device C-V

Fan Blade Diameter 275 mm

Fankit 34W 275/31/5B 1996583

MECHANICAL DATA

Air Flow	800 m ³ /h
Height	324 mm
Receiver	2.3 L
Shaft Power	34 W
Weight	35 Kg
Width	395 mm
Length	494 mm

PERFORMANCE

TESTED CONDITIONS

Tested Refrigerant	R-452A
Tested Application	LBP
Tested Standard	EN13215_RG20

RATED POINTS

Ambient Temperature °C	Evaporating Temperature °C	Cooling Capacity W	Efficiency W/W	Consumo de Potencia W
32	-35	804	1.1	734

Test Condition: Subcooling 3 K, Return Gas 20 °C.

PERFORMANCE CURVE

Ambient Temperature 25°C

Evaporating Temperature °C	Cooling Capacity W	Efficiency W/W	Consumo de Potencia W
-40	763	1.23	619
-30	1083	1.33	815
-25	1328	1.43	929
-20	1617	1.53	1057
-15	1940	1.62	1200
-10	2286	1.68	1362

Test Condition: Subcooling 3 K, Return Gas 20 °C.

PERFORMANCE CURVE

Ambient Temperature 32°C

Evaporating Temperature °C	Cooling Capacity W	Efficiency W/W	Consumo de Potencia W
-40	674	1.06	634
-30	989	1.17	842
-25	1218	1.27	961
-20	1482	1.36	1093
-15	1770	1.43	1240
-10	2074	1.48	1405

Test Condition: Subcooling 3 K, Return Gas 20 °C.

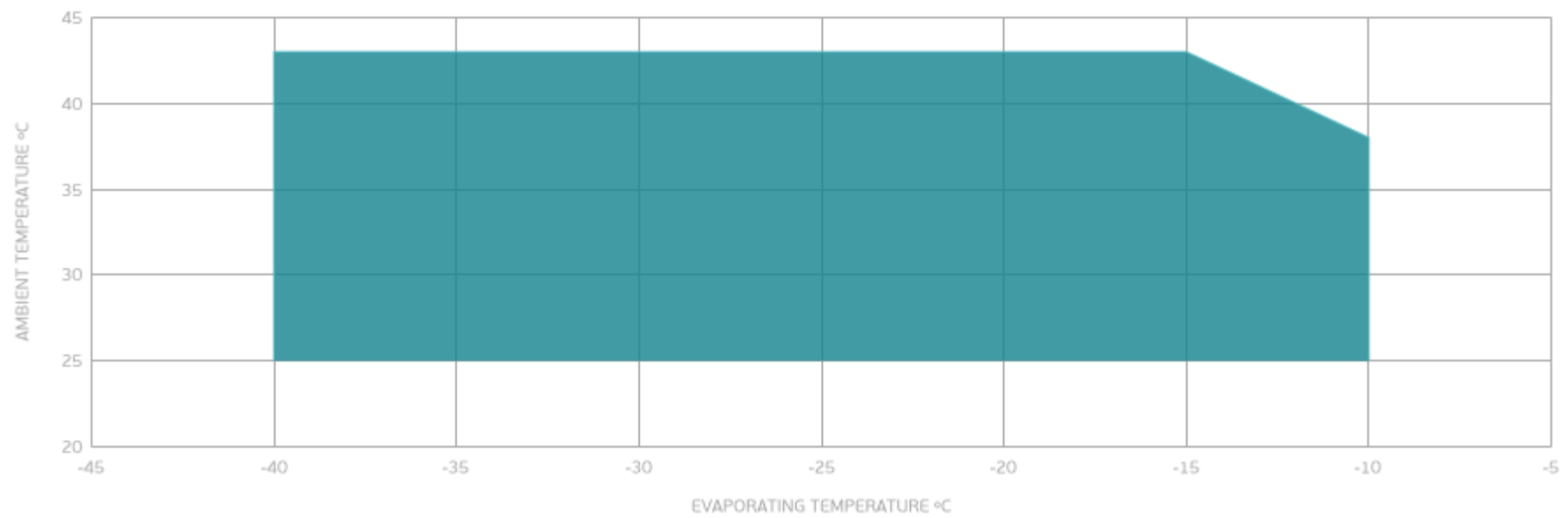
PERFORMANCE CURVE

Ambient Temperature 43°C

Evaporating Temperature °C	Cooling Capacity W	Efficiency W/W	Consumo de Potencia W
-40	492	0.79	624
-30	808	0.94	861
-25	1017	1.02	992
-20	1246	1.10	1136
-15	1485	1.15	1294

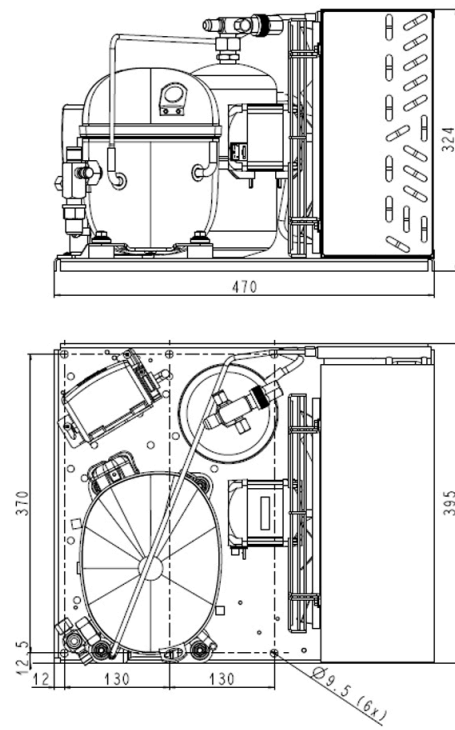
Test Condition: Subcooling 3 K, Return Gas 20 °C.

ENVELOPE



■ OPERATING CONDITION

EXTERNAL DIMENSIONS



WIRING DIAGRAM

