

Technical Data Sheet

Compressor model **GD30AA**
 Voltage **220-240V 50Hz ~1**
 Refrigerant **R134a**

APPLICATION

COMPRESSOR

MOTOR

Application	Low Back Pressure	Displacement	3,08 cm ³	Approximate Power	1/12 hp
Refrigerant	R134a	Diameter	18,00 mm	Voltage/Frequency	220V 50Hz
Evaporating Temp.	-35,0 to -10,0	Stroke	12,10 mm	Voltage range	187-264 V
Expansion	Capillar	Net Weight	5,60 Kg	Type	RSIR
Comp. Cooling	Static	Oil type	ISO VG 22 ESTER	Phase number	1 P
Max. ambient temp.	43,0	Oil charge	200 cm ³	Locked rotor current	6,50 A
				Main W. resist. at 25°C	37,60
				Start W. resist. at 25°C	26,40

APPROVALS

	ASHRAE	CECOMAF
Cooling Capacity	62 kcal/h	53 W
COP	0,96 W/W	0,74 W/W
EER	0,83 kcal/Wh	0,64 kcal/Wh
Input Power	75 W	71 W
Current	0,50 A	0,49 A



TEST CYCLE CONDITIONS

	ASHRAE LBP (B)	CECOMAF LBP (A)
Evaporating temp.	-23,3 °C	-25,0 °C
Condensing temp.	55,0 °C	55,0 °C
Liquid temp.	32,0 °C	55,0 °C
Ambient temp.	32,0 °C	32,0 °C
Suction temp.	32,0 °C	32,0 °C
Voltage/Frequency	220 V 50 Hz	220 V 50 Hz

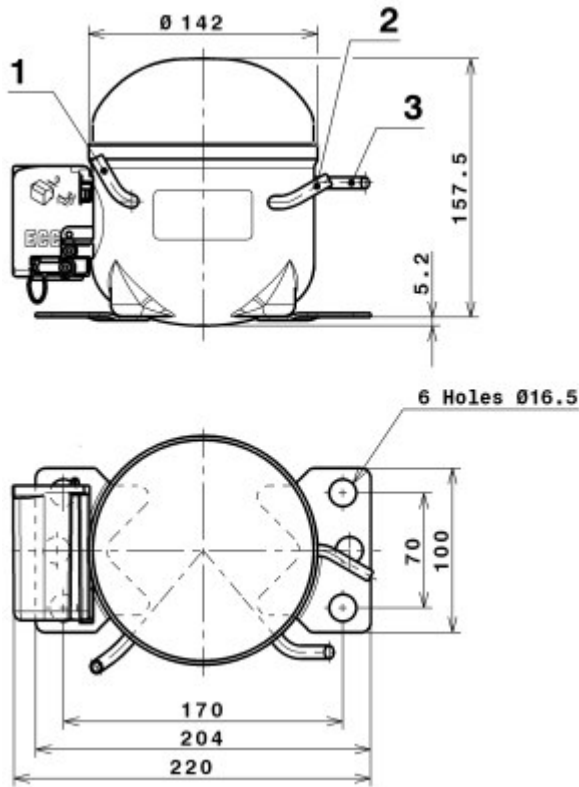
ELECTRICAL COMPONENTS

Relay	Option 1		
Reference	PTC K100		
Voltage	200 - 240 V		
Resistance	14,00		
Protector	Option 1	Option 2	
Reference	4TM189NFBYY	T0358	
Current	5,50 A	4,60 A	
Time check	5-15 seg	7,5-14 seg	
Disc temp. (Open/Close)	120,00 / 61,00 °C	120,00 / 62,00 °C	

ASHRAE

Tc	Te	Cooling Capacity kcal/h	Consumption W	Current A	COP W/W	EER kcal/Wh
40	-35	32	53	0,45	0,70	0,60
40	-30	48	61	0,47	0,93	0,80
40	-25	68	69	0,49	1,14	0,98
40	-23,3	75	72	0,49	1,21	1,04
40	-20	90	78	0,51	1,34	1,15
40	-15	114	88	0,53	1,52	1,30
40	-10	142	98	0,57	1,69	1,45
45	-35	29	52	0,45	0,66	0,56
45	-30	45	60	0,47	0,87	0,74
45	-25	64	70	0,49	1,06	0,91
45	-23,3	70	73	0,50	1,12	0,97
45	-20	85	80	0,51	1,24	1,07
45	-15	109	90	0,54	1,41	1,21
45	-10	136	101	0,58	1,56	1,34
50	-35	27	51	0,45	0,61	0,52
50	-30	42	60	0,47	0,80	0,69
50	-25	60	70	0,49	0,98	0,85
50	-23,3	66	74	0,50	1,04	0,90
50	-20	80	81	0,52	1,15	0,99
50	-15	104	93	0,55	1,30	1,12
50	-10	130	105	0,59	1,44	1,24
55	-35	24	50	0,45	0,56	0,48
55	-30	38	60	0,47	0,74	0,64
55	-25	56	71	0,49	0,91	0,78
55	-23,3	62	75	0,50	0,96	0,83
55	-20	76	83	0,52	1,06	0,91
55	-15	98	95	0,56	1,20	1,03
55	-10	124	108	0,60	1,34	1,15
60	-35	21	49	0,45	0,51	0,44
60	-30	35	60	0,47	0,68	0,58
60	-25	52	72	0,49	0,83	0,72
60	-23,3	58	76	0,50	0,88	0,76
60	-20	71	84	0,52	0,98	0,84
60	-15	93	97	0,56	1,11	0,95
60	-10	118	111	0,61	1,23	1,06
65	-35	19	48	0,45	0,45	0,39
65	-30	32	60	0,47	0,61	0,53
65	-25	48	73	0,49	0,76	0,65
65	-23,3	54	77	0,51	0,81	0,69
65	-20	66	86	0,53	0,90	0,77
65	-15	88	100	0,57	1,02	0,88
65	-10	112	115	0,62	1,14	0,98

COMPRESSOR DIMENSIONS

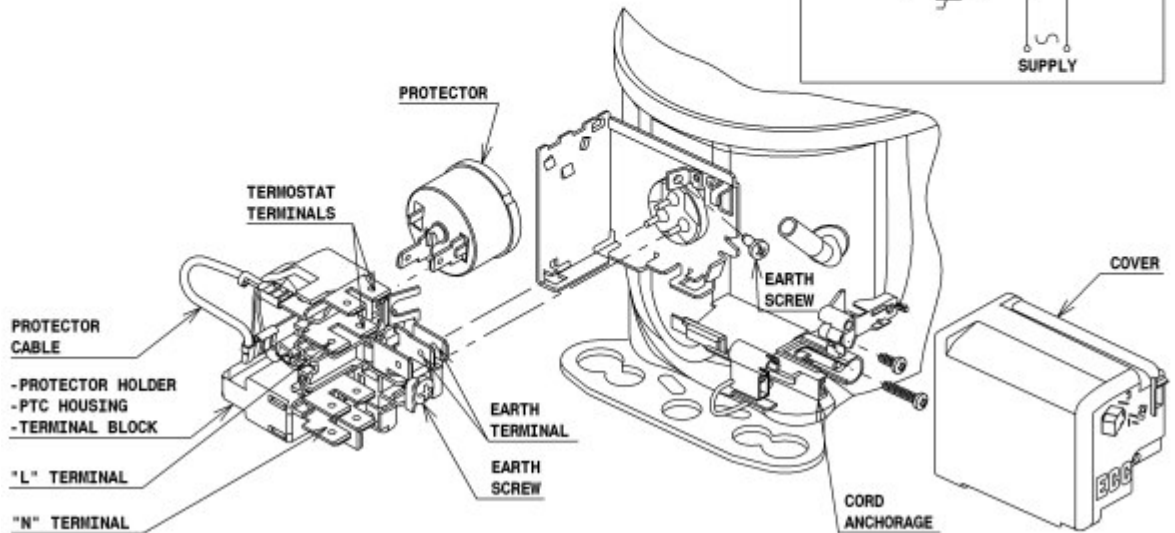
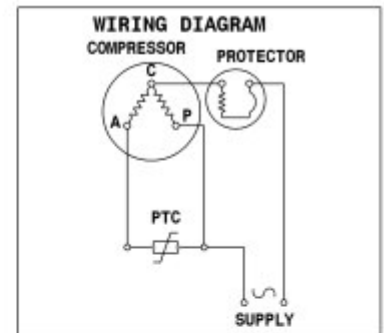


DESIGNATION INTERNAL DIAM.

DESIGNATION	INTERNAL DIAM.
1 Suction/Service	6,5 mm
2 Service/Suction	6,5 mm
3 Discharge	4,9 mm

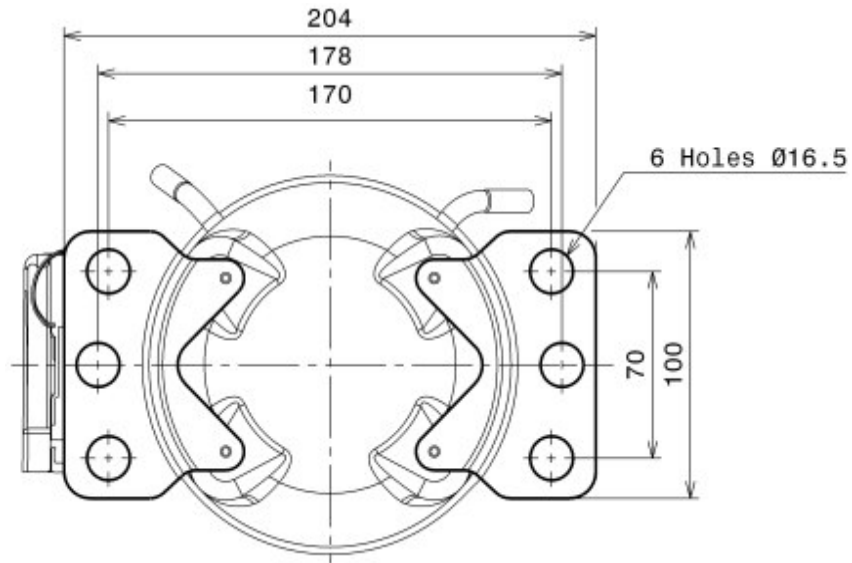
WIRING DIAGRAMS AND ELECTRICAL ASSEMBLY

RSIR CONNECTION (PTC)



Technical Data Sheet

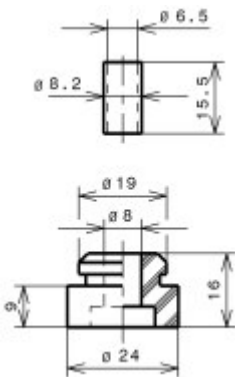
FIXINGS



SILENT BLOCKS (MOUNTING ACCESSORIES)

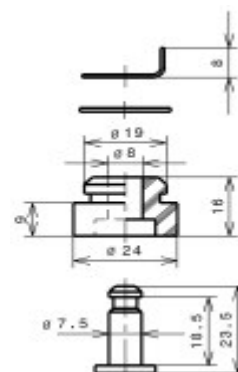
STANDARD

D.16.5 holds net (170x70)



SNAP-ON

D.16.5 holds net (170x70)



SOA

SOA R134a LBP

